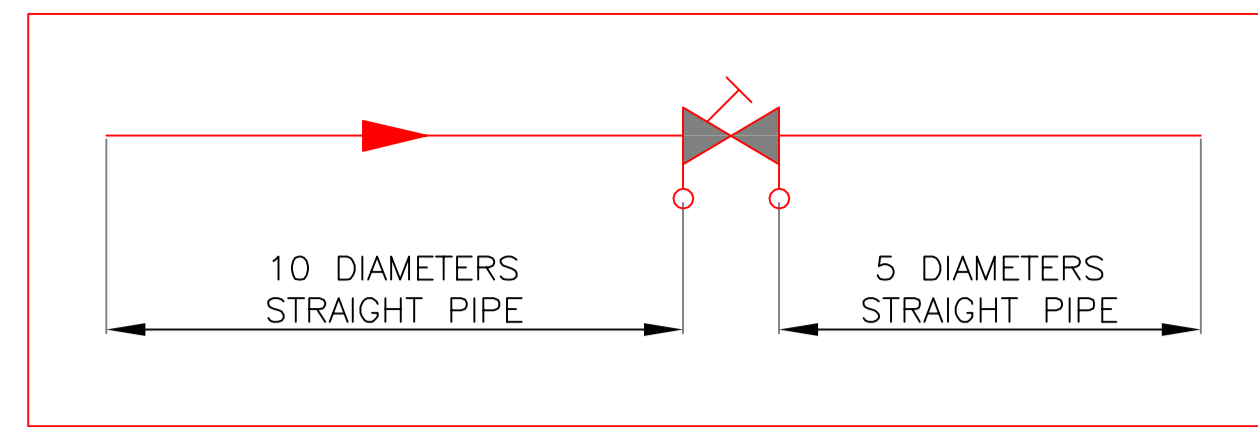
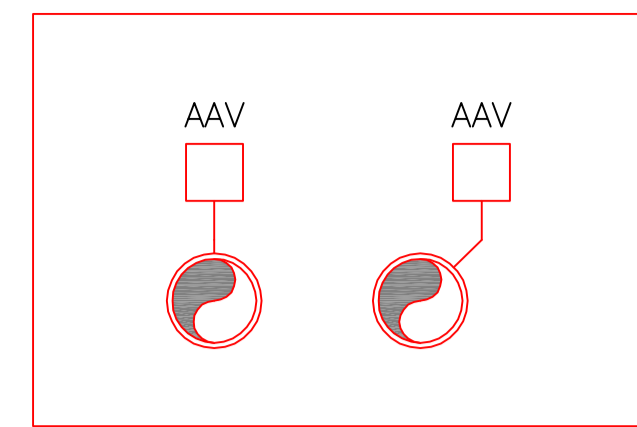


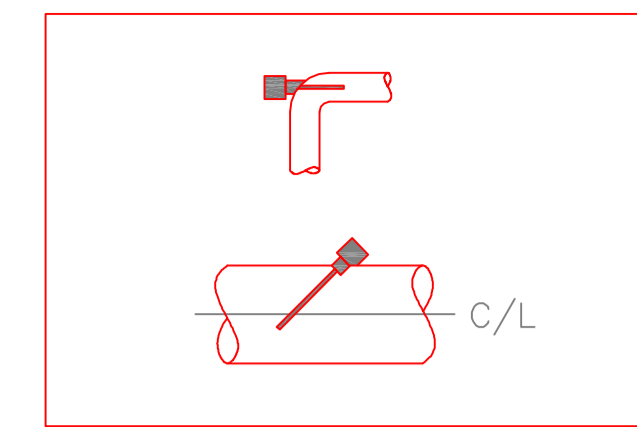
TYPICAL HEAT METER FLOW METER INSTALLATION DETAIL



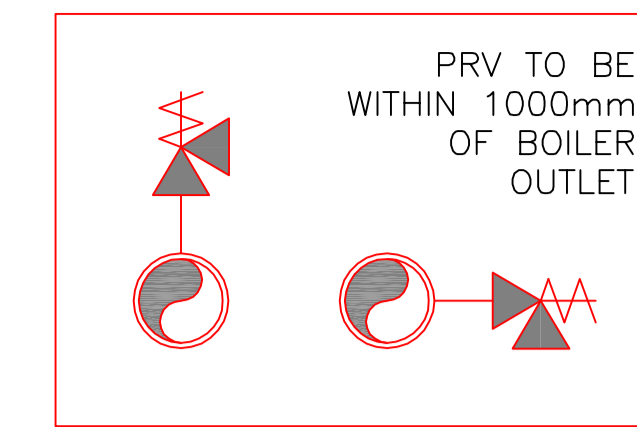
TYPICAL COMMISSIONING STATION INSTALLATION DETAIL



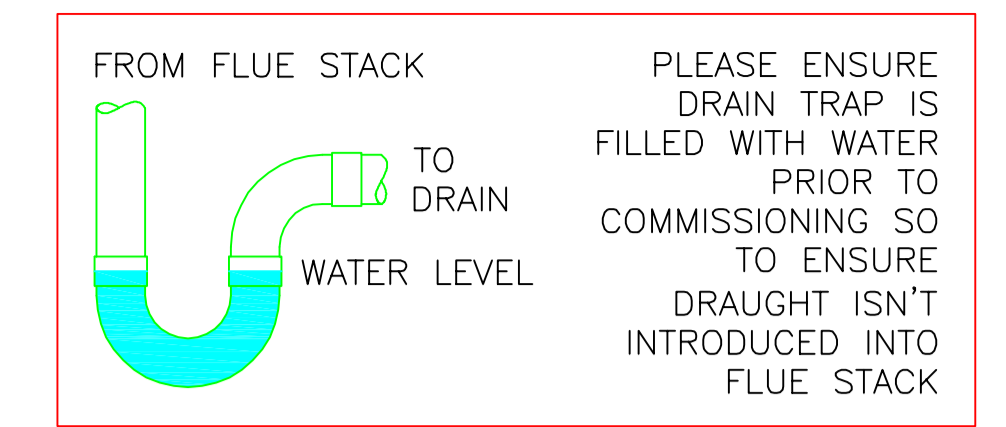
AUTOMATIC AIR VENT INSTALLATION DETAIL



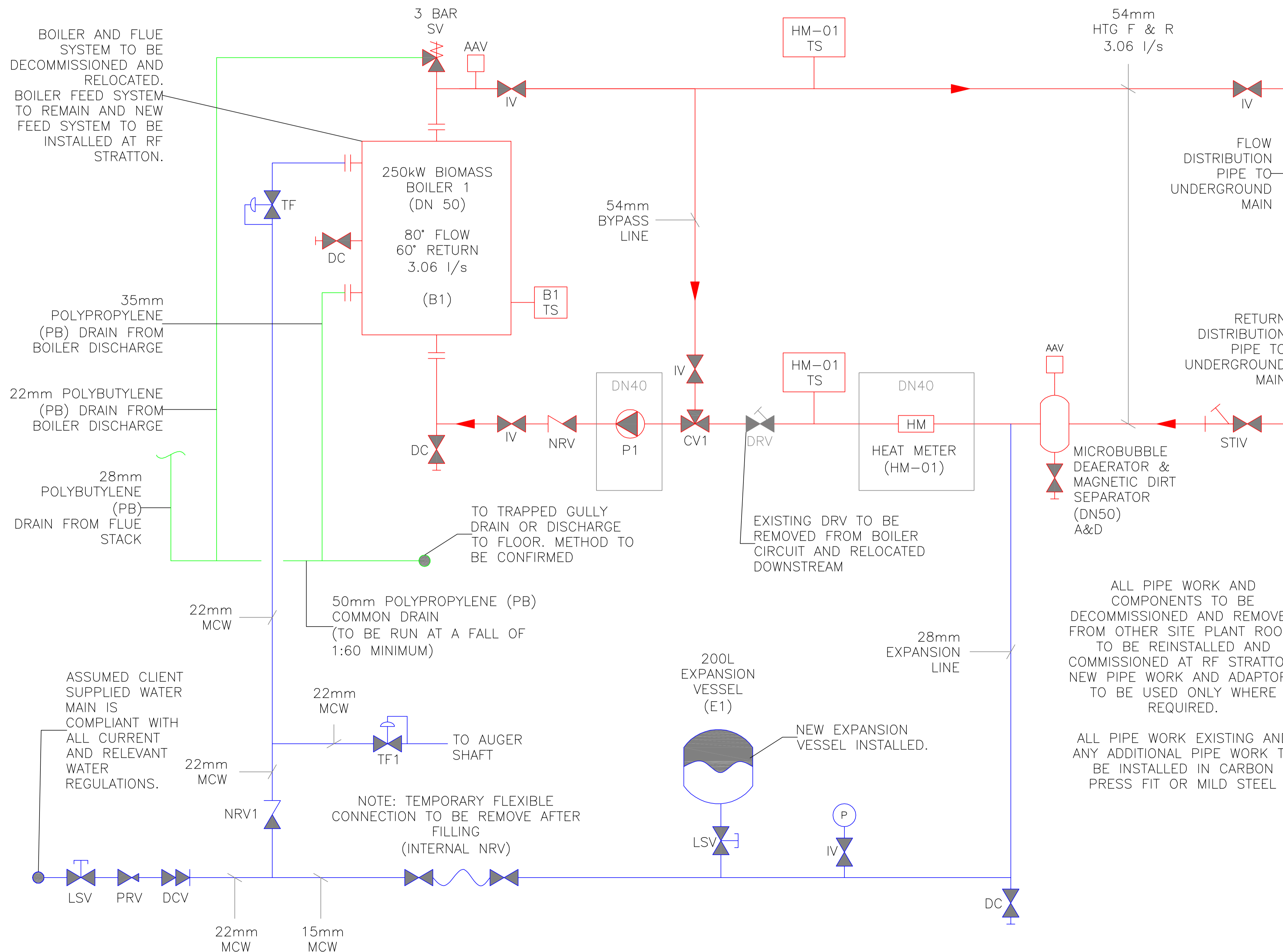
HEAT METER TEMPERATURE SENSOR INSTALLATION DETAIL



PRESSURE RELIEF VALVE INSTALLATION DETAIL



FLUE STACK DRAIN INSTALLATION DETAIL



BOILER ON CONTROL LOGIC

1. SWITCH FAN SET(S) ON
2. OPEN BALL VALVES (FLOW AND RETURN) AT USER END
3. SWITCH BOILER ON
4. LOAD ON SYSTEM TO BE MONITORED VIA MEANS OF HEAT METER
5. AIR FLOW OVER EXCHANGERS TO BE BAFFLED BY CLIENT DEPENDING ON LOAD. 250kW SHOULD NOT BE EXCEEDED.
6. LOAD IN EXCESS OF 250kW EXCHANGER SURFACE AREA REDUCED. LOAD UNDER 250kW EXCHANGER SURFACE AREA TO BE INCREASED OR ADDITIONAL FAN SETS SWITCHED ON

BOILER OFF CONTROL LOGIC

1. SWITCH BOILER TO OFF MODE
2. LEAVE BOILER TO RAMP DOWN AND EXCESS HEAT TO LEAVE BOILER, APPROX. 30 MINS
3. ENSURE HPO PUMP (BOILER SHUNT PUMP) IS SWITCHED TO OFF MODE BY BOILER CONTROLLER
4. SWITCH OFF ALL RUNNING FAN SETS
5. CLOSE FLOW AND RETURN ISOLATION VALVES

A	FIRST ISSUE	NDP		DSM	30/07/18
MK	REVISIONS	DRN	CHK	APP	DATE

RF STRATTON GRAIN STORES
BA12 7HH

PLANT ROOM MECHANICAL SCHEMATIC

INSTALLATION

ORIGINAL DRAWING SIZE A3 SCALE NTS

DRAWING NUMBER
T703 - 500

REV.
A



TRECO Ltd,
Pyramid House
1 Tiverton Way
Tiverton Business Park
Tiverton
Devon
EX16 6TG
Tel. 0845 1 30 90 12
Web : www.tresco.co.uk
e-mail : info@tresco.co.uk

ALL PIPE WORK AND COMPONENTS TO BE DECOMMISSIONED AND REMOVED FROM OTHER SITE PLANT ROOM. TO BE REINSTALLED AND COMMISSIONED AT RF STRATTON. NEW PIPE WORK AND ADAPTORS TO BE USED ONLY WHERE REQUIRED.

ALL PIPE WORK EXISTING AND ANY ADDITIONAL PIPE WORK TO BE INSTALLED IN CARBON PRESS FIT OR MILD STEEL