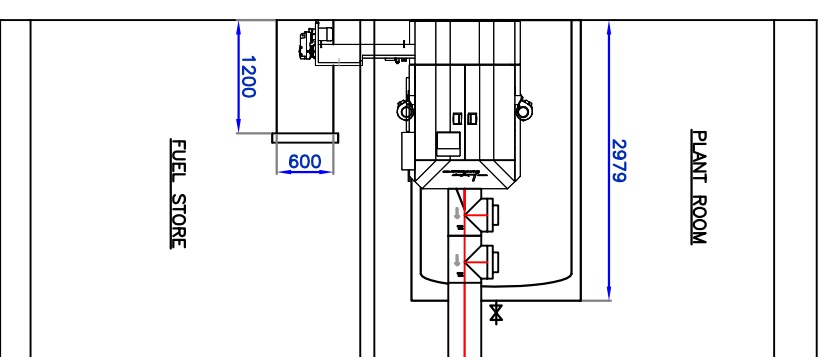
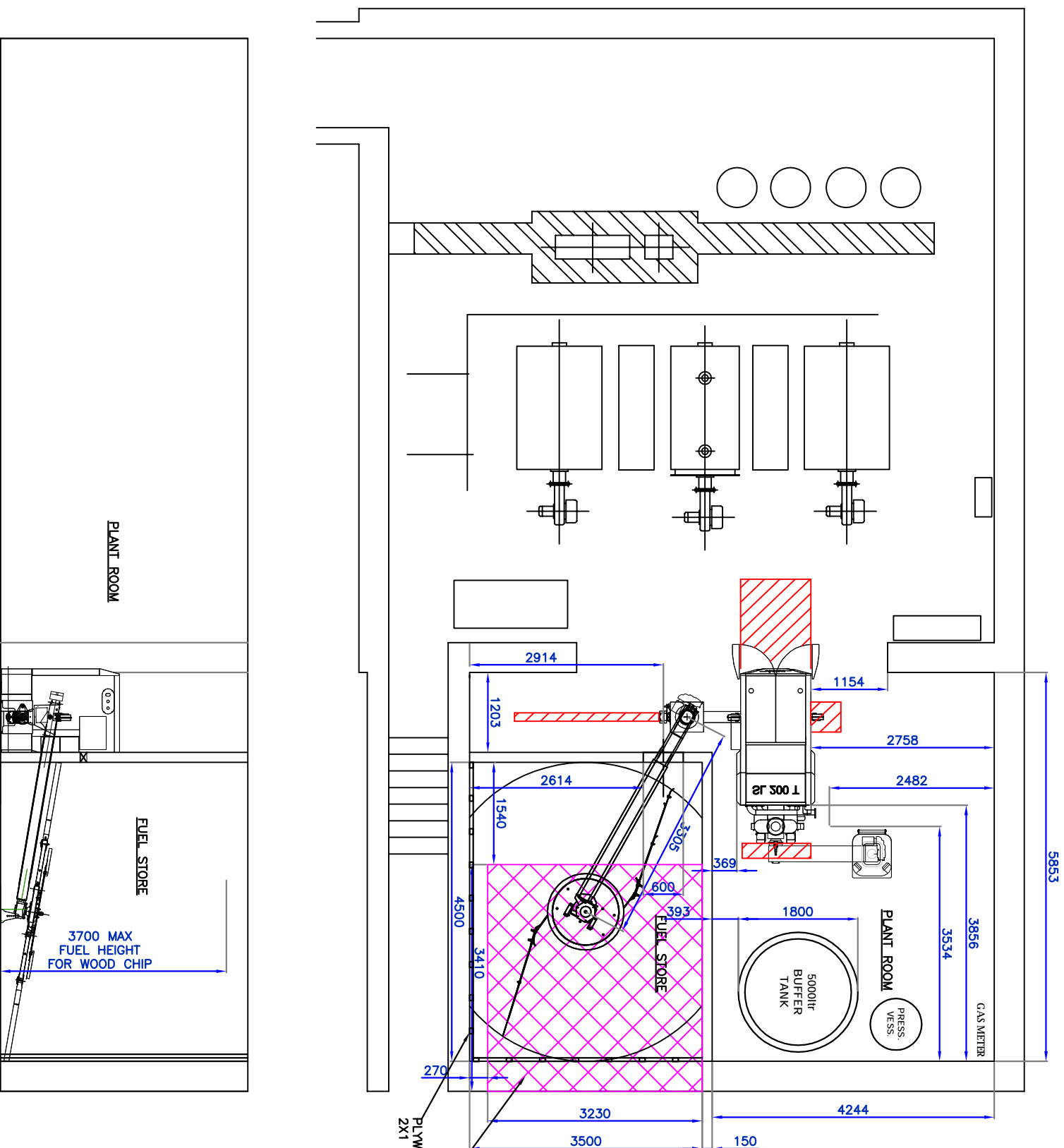


TRUE LENGTH AUGER



APERTURE FOR FUEL STORE
PLYWOOD WITH 2X1 BATTON

NOTE:
FUEL STORE CONSTRUCTION TO BE GENERALLY TO TRECO DRAWING No STD/017REV E AND FREE FROM MOISTURE INGRESS.

BOILER ROOM TO BE LINED WITH HALF HOUR FIRE RESISTANT MATERIAL ON ANY COMBUSTIBLE SURFACES, ESPECIALLY FUEL STORE WALL AND FREE FROM MOISTURE INGRESS, AND FLOOR FLAT, SOLID & EVEN.

NO ELECTRICAL EQUIPMENT, LIGHTS ETC TO BE WITHIN FUEL STORE AREA.

ELECTRICAL SUPPLY AND MAINS WATER TO BE SUPPLIED TO BOILER ROOM ALL BY OTHERS.

A FRESH AIR SUPPLY FROM ATMOSPHERE IS REQUIRED, TRECO TO SUPPLY VENTILATION GRILL.

NOTES
1. UNLESS NOTED OTHERWISE ALL DIMENSIONS ARE IN MILLIMETRES.

REV	DESCRIPTION	DRN	CHK	APP	DATE
E	PLYWOOD ON INTERNAL WALLS ADDED.	AWO		MB	16/10/15
D	APERTURE	MJZ	DSM	MB	24/08/15
C	TRUE AUGER LENGHT	NDP	AWO	MB	31/07/15
B	DIMENSIONS ADDED	AWO	NDP	MB	28/07/15
A	FIRST ISSUE	NDP	AT		18/05/15
MK	REVISIONS				

TEMPLE SUTTON

LINDNER 250 CHIP
4.5M AGITATOR, 5000 BUFFER TANK.

PLANT ROOM LAYOUT

PRELIMINARY

ORIGINAL DRAWING SIZE A3 SCALENTS

DRAWING NUMBER

TEMPLE SUTTON 001

REV.

E



Treco Ltd,
Pyramid House,
1, Tiverton Way,
Tiverton,
Devon,
EX16 6TG

Tel. 0845 130 90 12
Web: www.treco.co.uk
E-Mail: info@treco.co.uk